

DRAGON BALACLAVA

Head circumference
42-44-46-48-50-52 cm

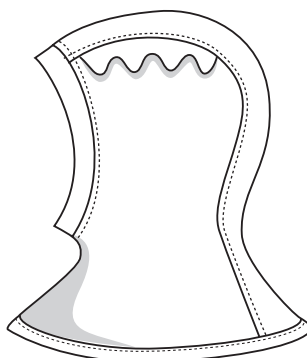
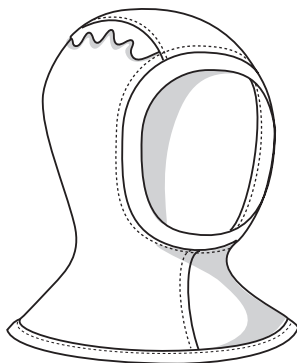
MATERIAL

- 40-40-40-45-45-45 cm velour knit
- 5 cm x 16 cm pieces of yellow, red, turquoise and green velour knit
- 10 cm yellow ribbing

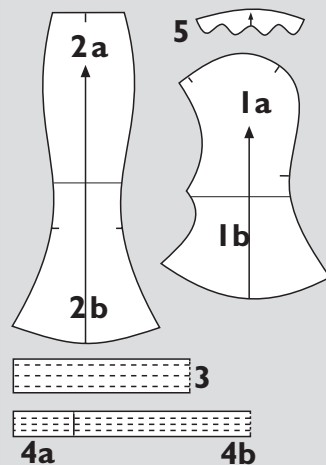
PATTERN PIECES

cut

1a+1b side panel	2
2a+2b center panel	1
3 face-edge binding*	1
4a+4b bottom-edge binding*	1
5 trim panel	1+1+1+1



Pattern piece overview



CUTTING

Trace pattern pieces onto tissue paper as shown on pattern piece overview. Join pattern pieces 1a and 1b, 2a and 2b, and 4a and 4b.

Cut **side and center panels** from velour knit as indicated on list of pattern pieces. Add 1 cm seam allowances.

Cut **trim panels** from different-colored pieces of velour knit, one panel from each color. Add 1 cm seam allowances.

Cut **face-edge and bottom-edge bindings** from ribbing. Patterns for bindings* include seam allowances. Check length of bindings* before sewing as the stretch and recovery qualities of different knits vary.

SEWING

Stitch seams with straight stitch and finish them with serger or zigzag stitch. Topstitch seams using presser foot edge as guide.

Preparation: Stitch trim panels together in pairs, right sides facing; leave their bottom edges unstitched. Use pattern piece for trim panel as template as you sew! Trim seam allowances and clip to stitching at corners. Open out seam allowances by pressing lightly with point of iron and turn trims right side out. Machine-baste bottom edges of trims together. Machine-baste trims to balaclava side panels following pattern markings.

Joining: Stitch side panels to center panel and finish seams. Fold seam allowances toward center panel and topstitch seams. Stitch, finish and topstitch center front seam.

Face edge: Join ends of face-edge binding strip to form closed loop and fold it in half, wrong sides together. Mark quarter points on face-edge binding and along face edge. Pin binding to face edge, right sides together, aligning quarter-point markings. Stitch binding to face edge, stretching binding as you sew, and finish seam. Topstitch face edge.

Bottom edge: Finish bottom edge with binding as follows: Stitch right side of binding to wrong side of bottom edge of balaclava. Fold binding to right side, turn its seam allowance under and topstitch it to balaclava close to edge.

